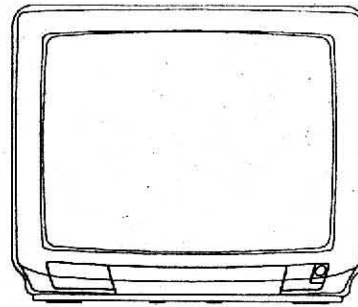


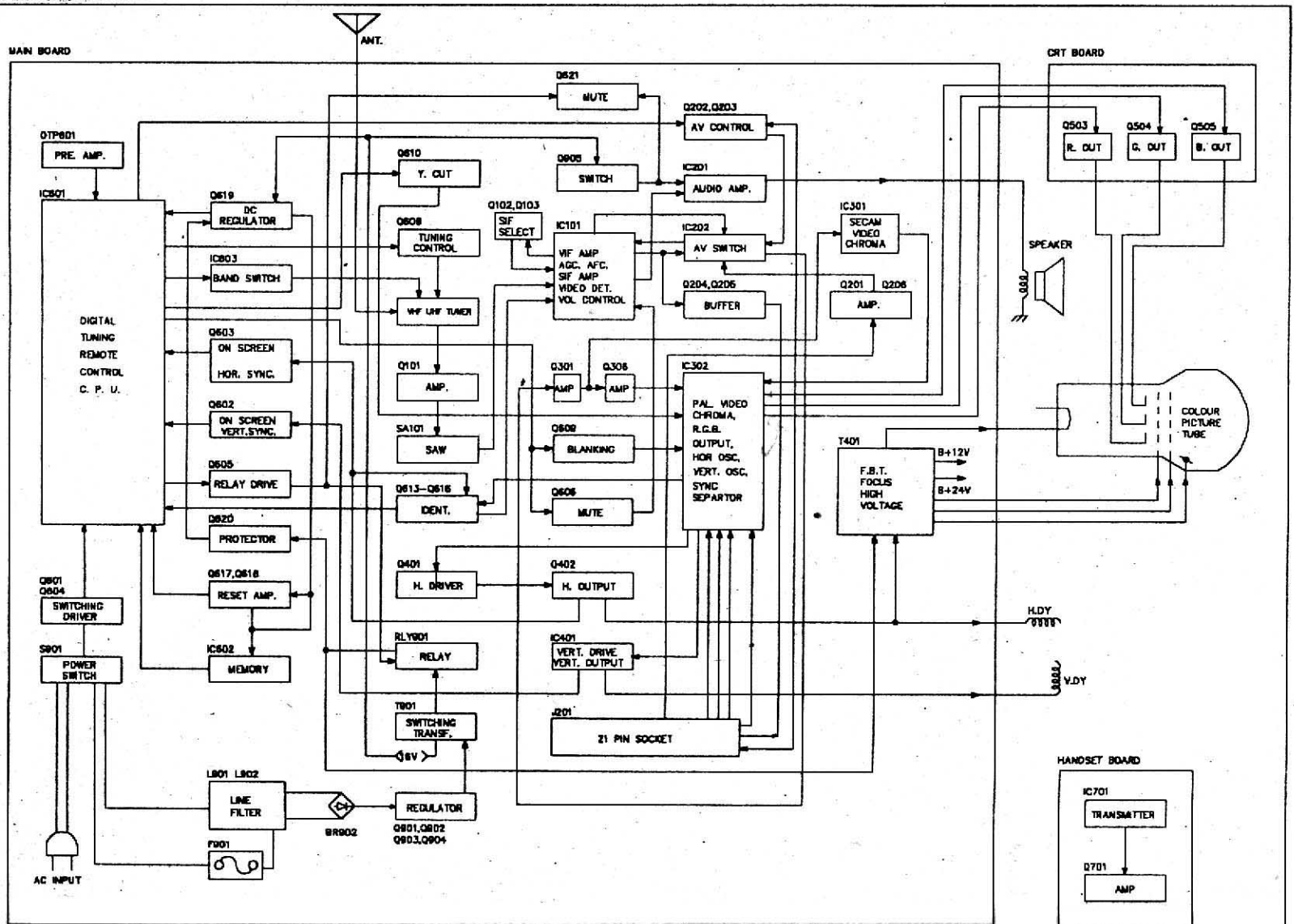
# AKAI

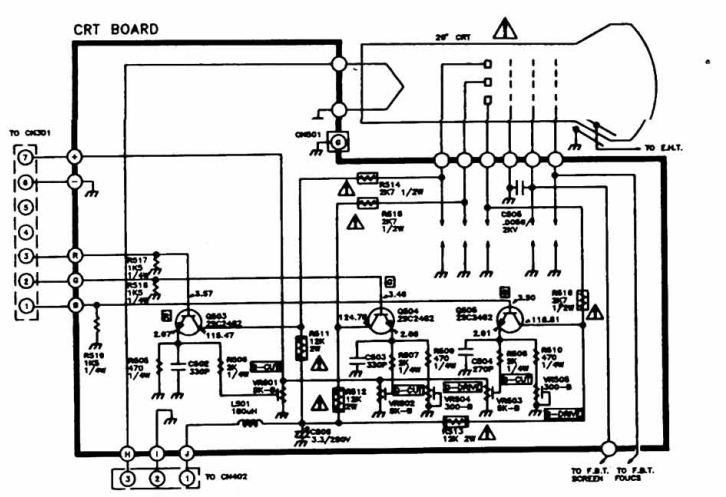
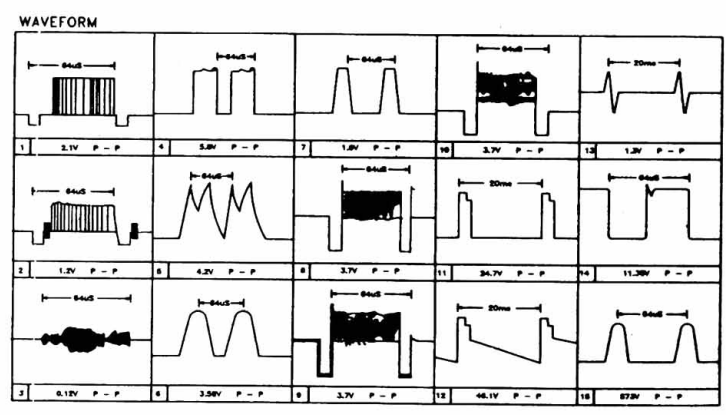
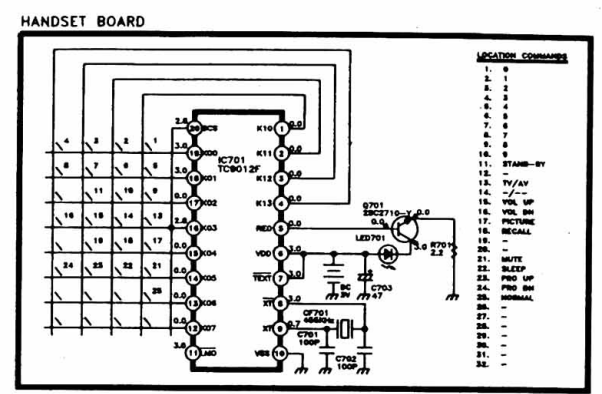
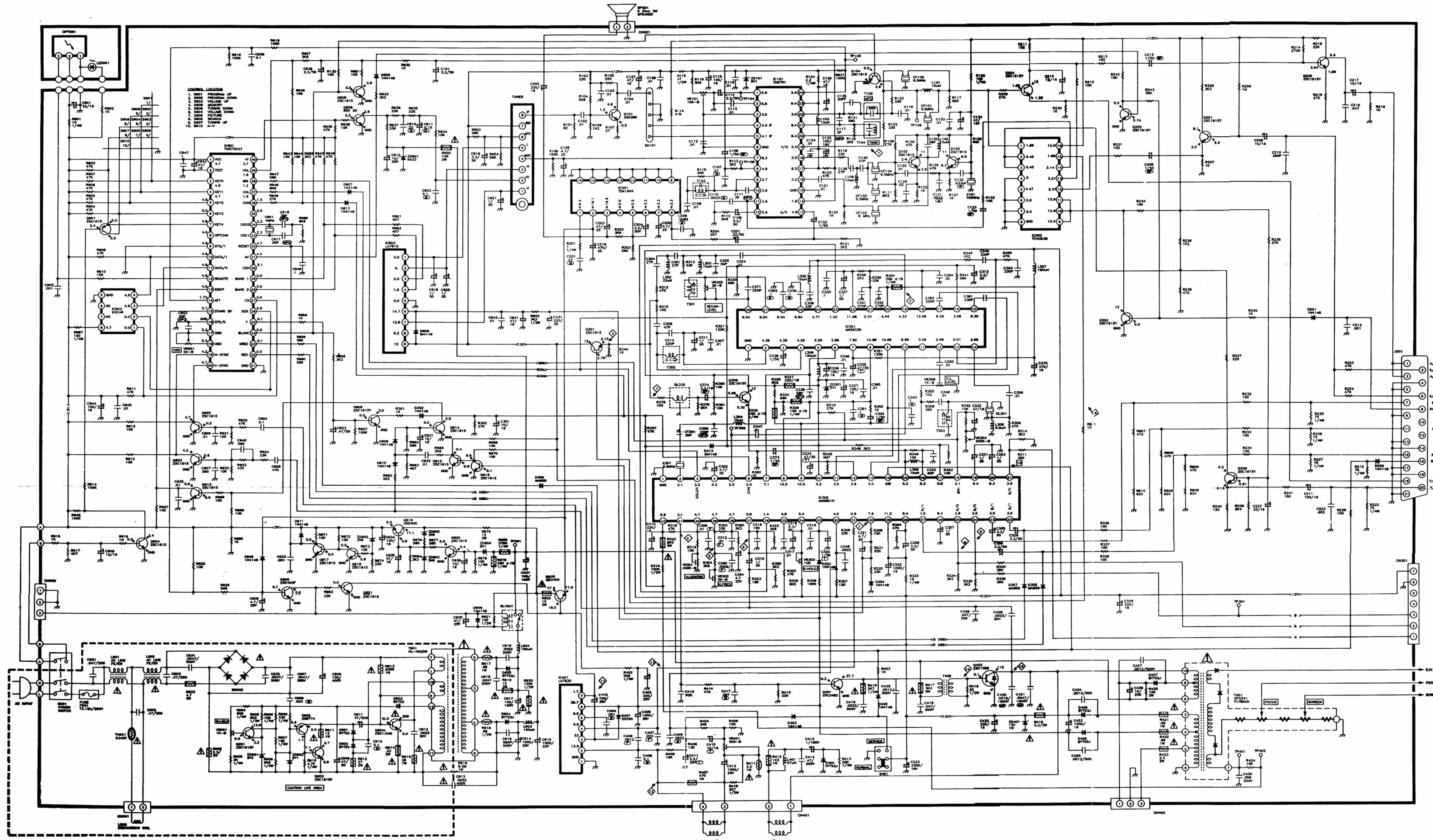
20" Colour Television With Scart Receiver

CT-2007D Y1



## BLOCK DIAGRAM

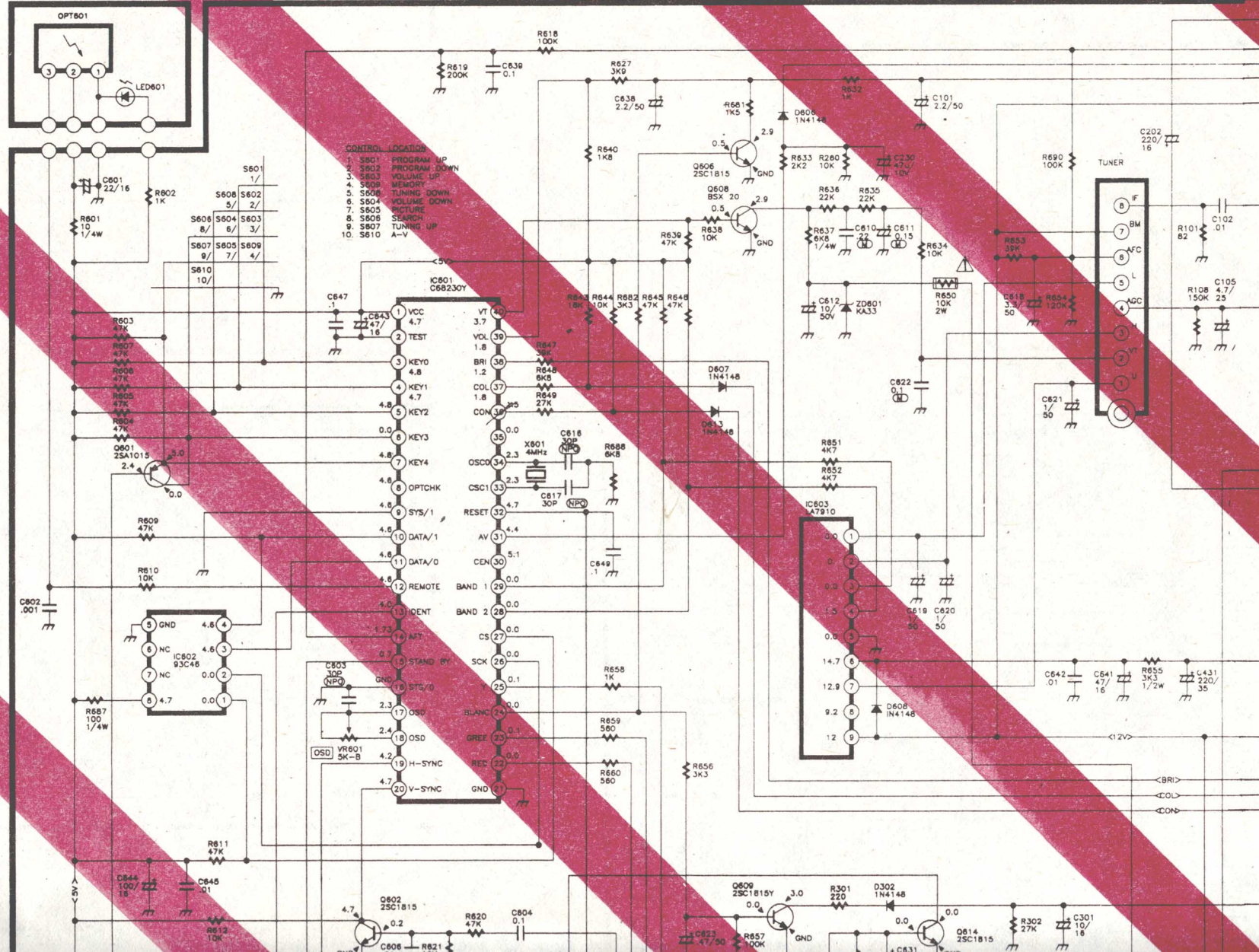


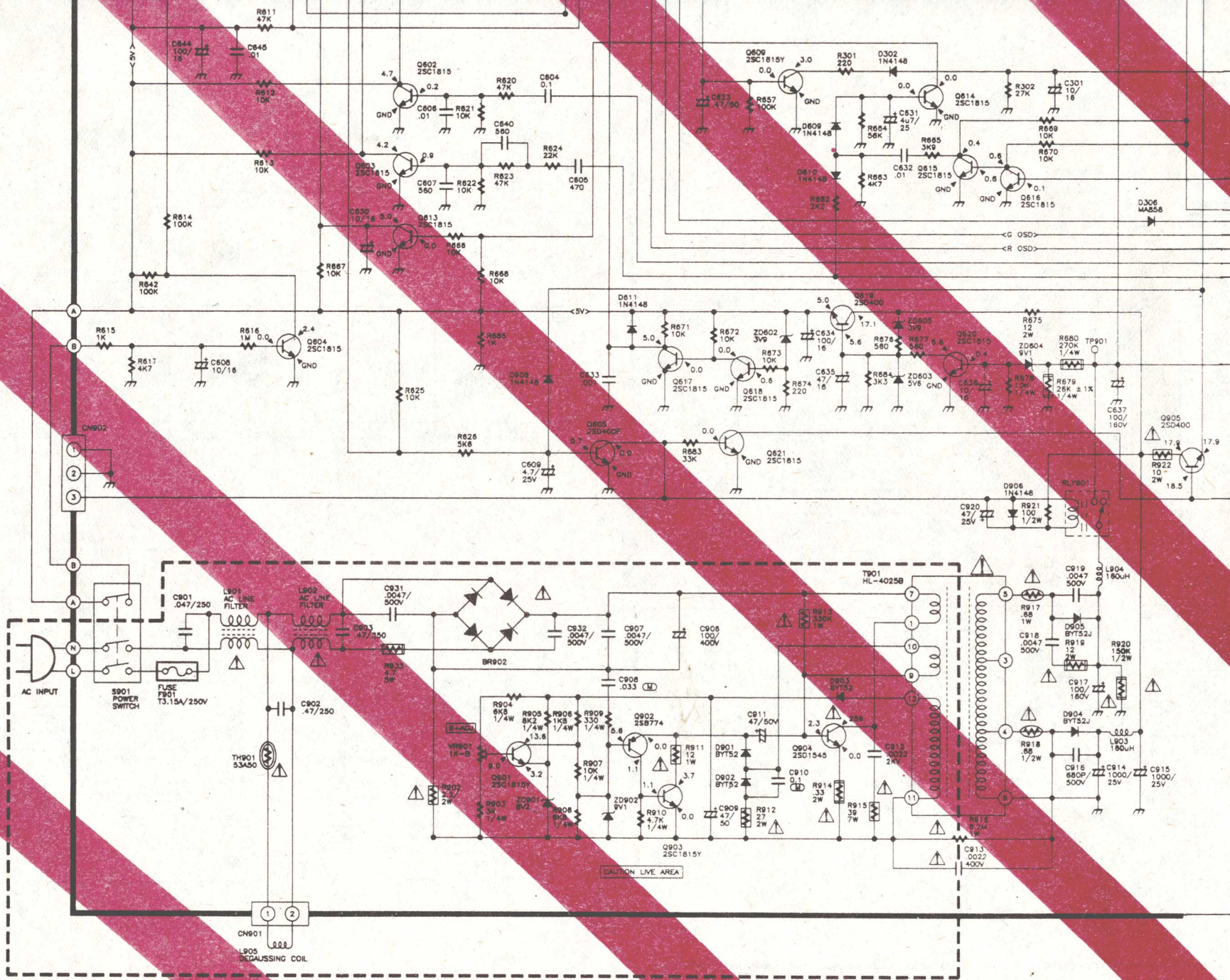


# SCHEMATIC DIAGRAM FOR PAL SECAM B/G D/K SYSTEM

RECEIVE BOARD

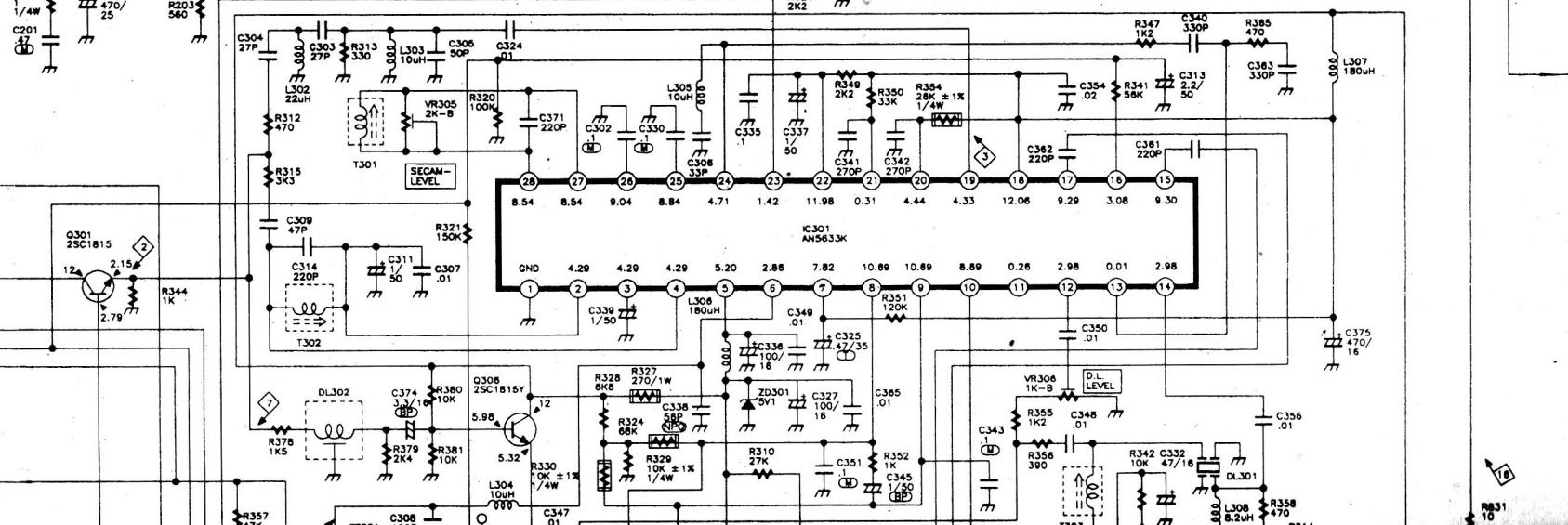
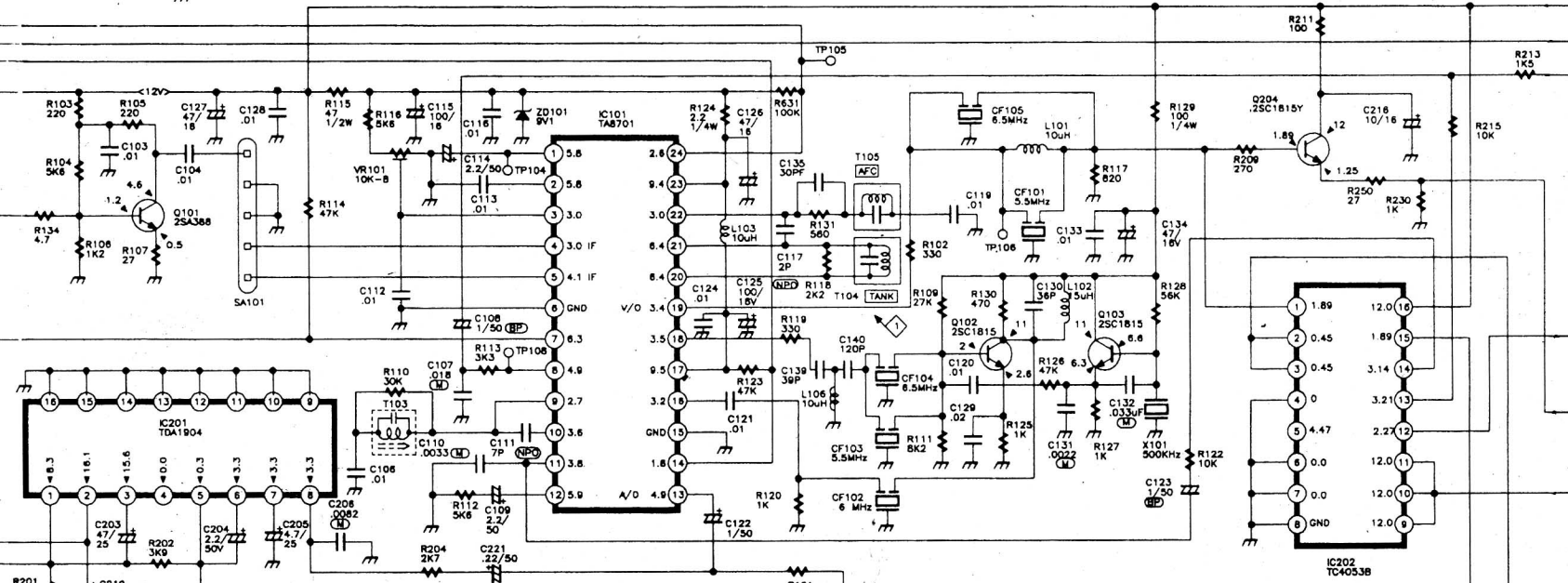
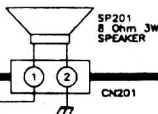
MAIN BOARD

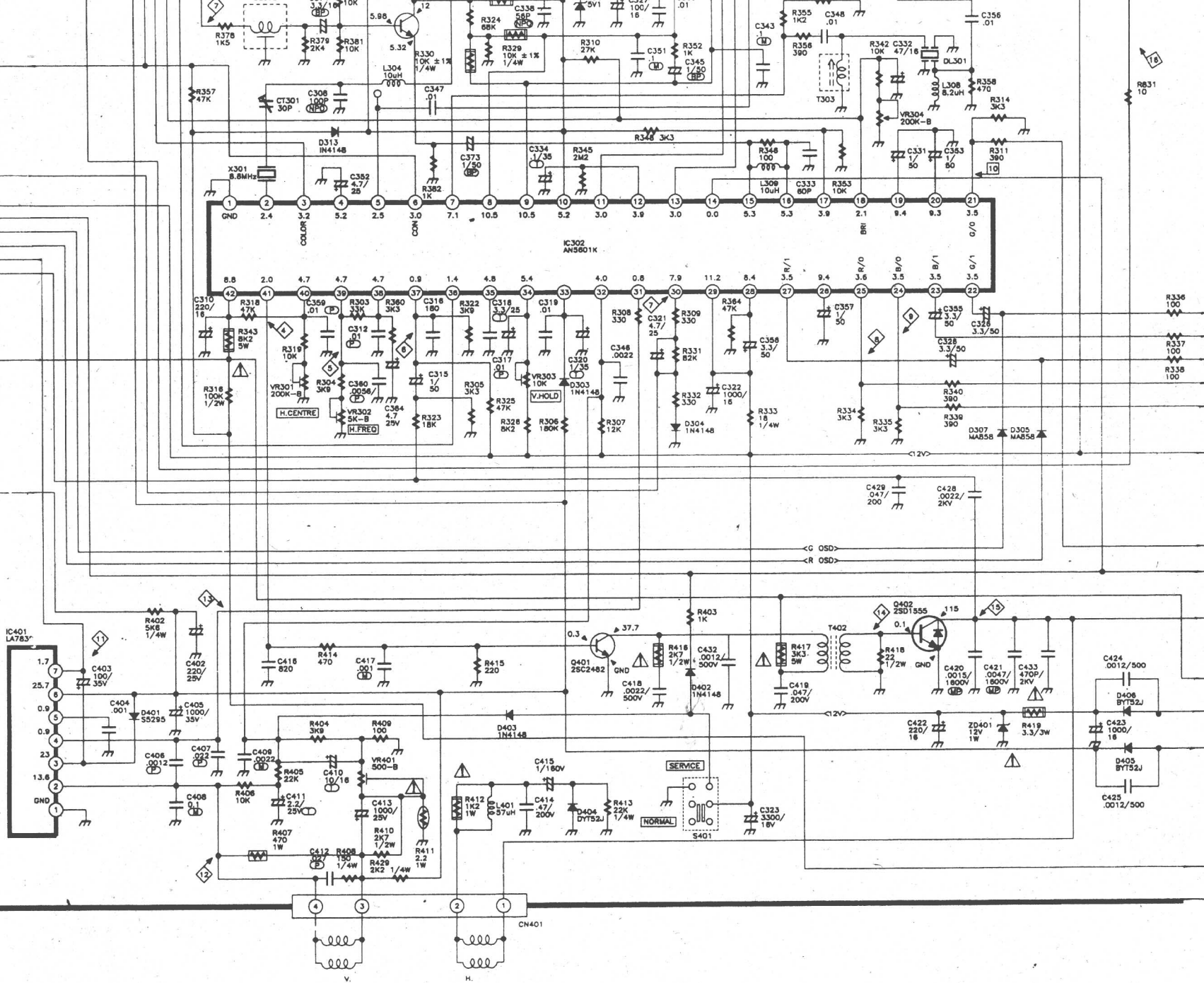


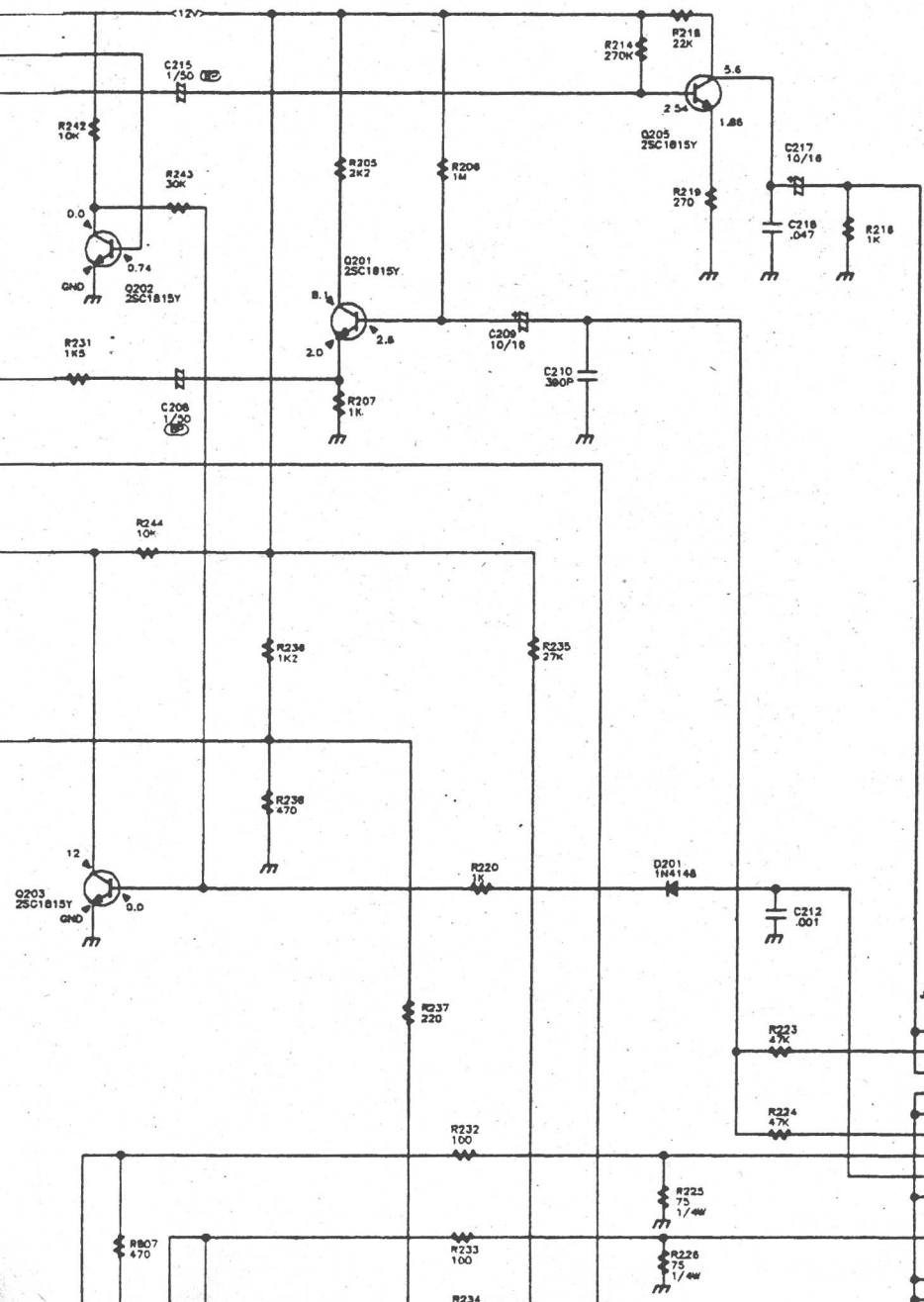


DRAWING NO: 8120-03 (BF) (AKAI)

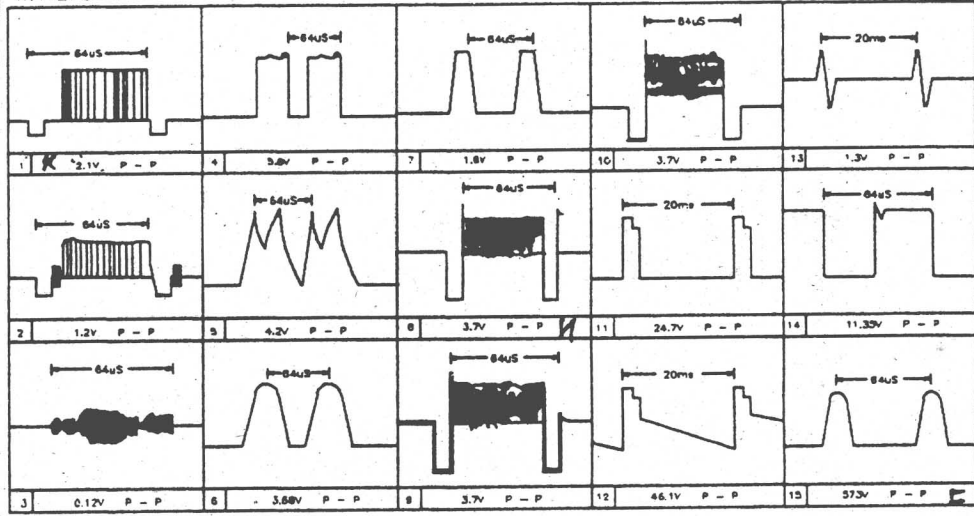
REV. No. : A(13-07-94)







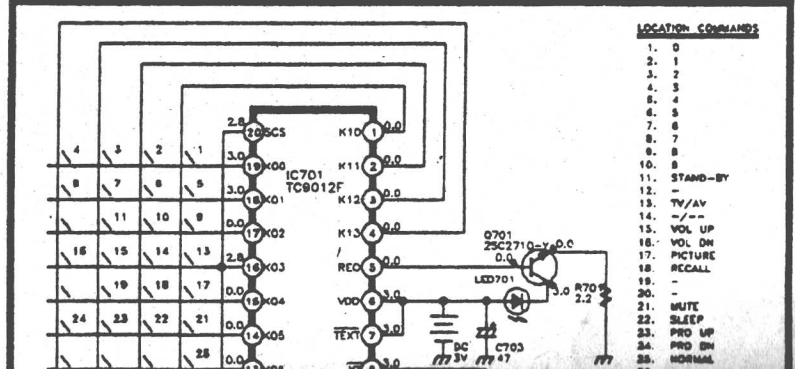
WAVEFORM



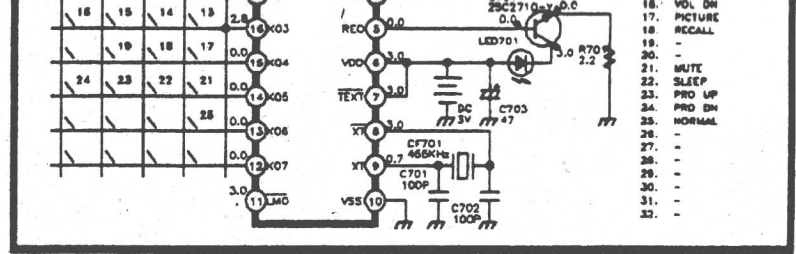
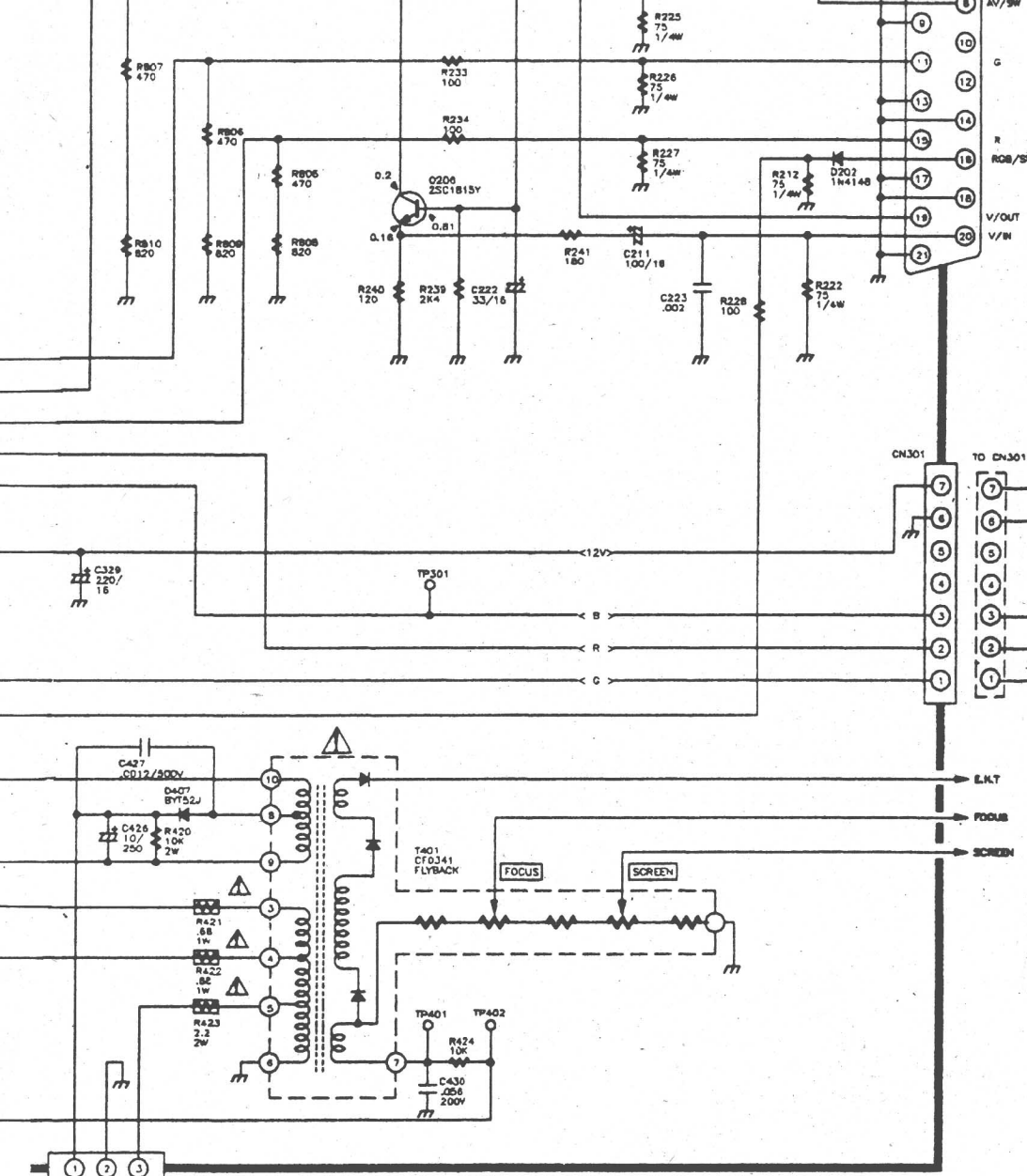
- NOTE:
- (1) ALL CAPACITORS ARE IN  $\mu F$  UNLESS OTHERWISE NOTED. ALL CAPACITORS ARE 50V UNLESS OTHERWISE NOTED. CAPACITOR NOT SPECIFICALLY DESIGNATED ARE CERAMIC CAPACITORS.
  - (2) ALL RESISTORS ARE IN OHM  $1/16$  WATT UNLESS OTHERWISE NOTED.
  - (3) RESISTOR NOT SPECIFICALLY DESIGNATED ARE CARBON FILM RESISTORS.
  - (4) DC VOLTAGE ARE MEASURED FROM POINTS INDICATED TO THE CIRCUIT GROUND WITH A DIGITAL MULTIMETER TEST.
  - (5) WAVEFORMS ARE TAKEN WITH SETTING CONTROLS TO A NORMAL CONDITIONS ( COLOR PHILIPS PATTEN ).
  - (6) THIS CIRCUIT DIAGRAM IS SUBJECT TO CHANGE WITHOUT PRIOR NOTICE.
  - (7)  $\triangle$  SAFETY CRITICAL DEVICE.

CIRCUIT SYMBOLS		
RESISTOR	CAPACITOR	

HANDSET BOARD



- LOCATION COMMANDS
1. 0
  2. 1
  3. 2
  4. 3
  5. 4
  6. 5
  7. 6
  8. 7
  9. 8
  10. 9
  11. STAND-BY
  12. -
  13. TV/AV
  14. -/--
  15. VOL UP
  16. VOL DN
  17. PICTURE
  18. RECALL
  19. -
  20. -
  21. MUTE
  22. SLEEP
  23. PRO UP
  24. PRO DN
  25. NORMAL



16	15	14	13	2.8	19	X03
17	18	17	16	0.0	19	X04
24	23	22	21	0.0	14	X05
				0.0	13	X06
				0.0	13	X07
				3.0	13	JM0

- 18. VOL DN
- 17. PICTURE
- 19. RECALL
- 19. -
- 20. -
- 21. MUTE
- 22. SLEEP
- 23. PRO LP
- 24. PRO DN
- 25. NORMAL
- 26. -
- 27. -
- 28. -
- 29. -
- 30. -
- 31. -
- 32. -

